

### Description:

Rithum Switch Pro is a PoE smart keypad which provides control of third party systems.

To correctly utilise the features of Rithum Switch, you will need third party systems such as lighting, audio or climate control systems, although there are some climate features built-in.

### Specification:

**PoE:** IEEE 802.3af

**Power Draw:** 10W Max

**Power consumption standby:** 0.7W

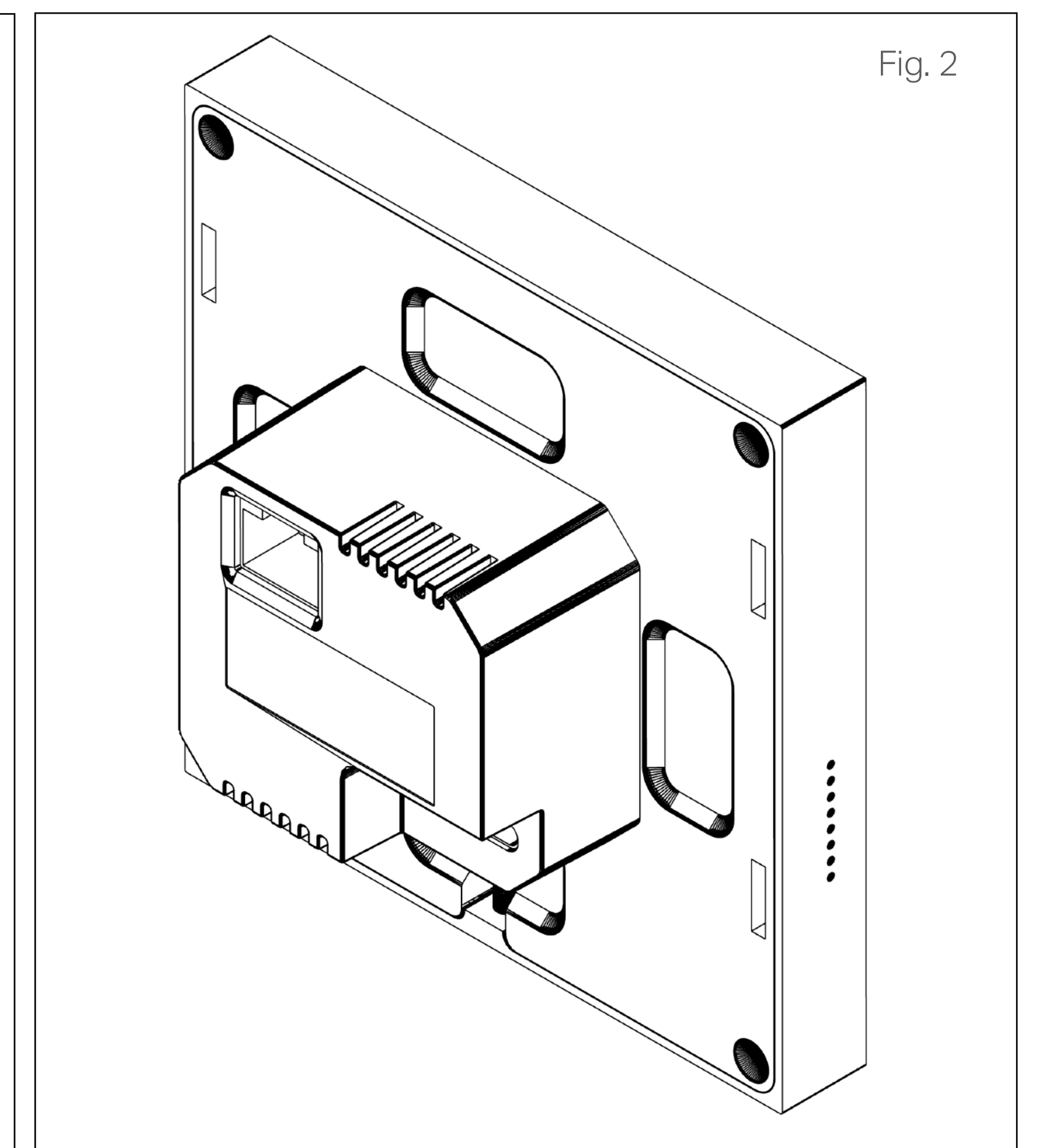
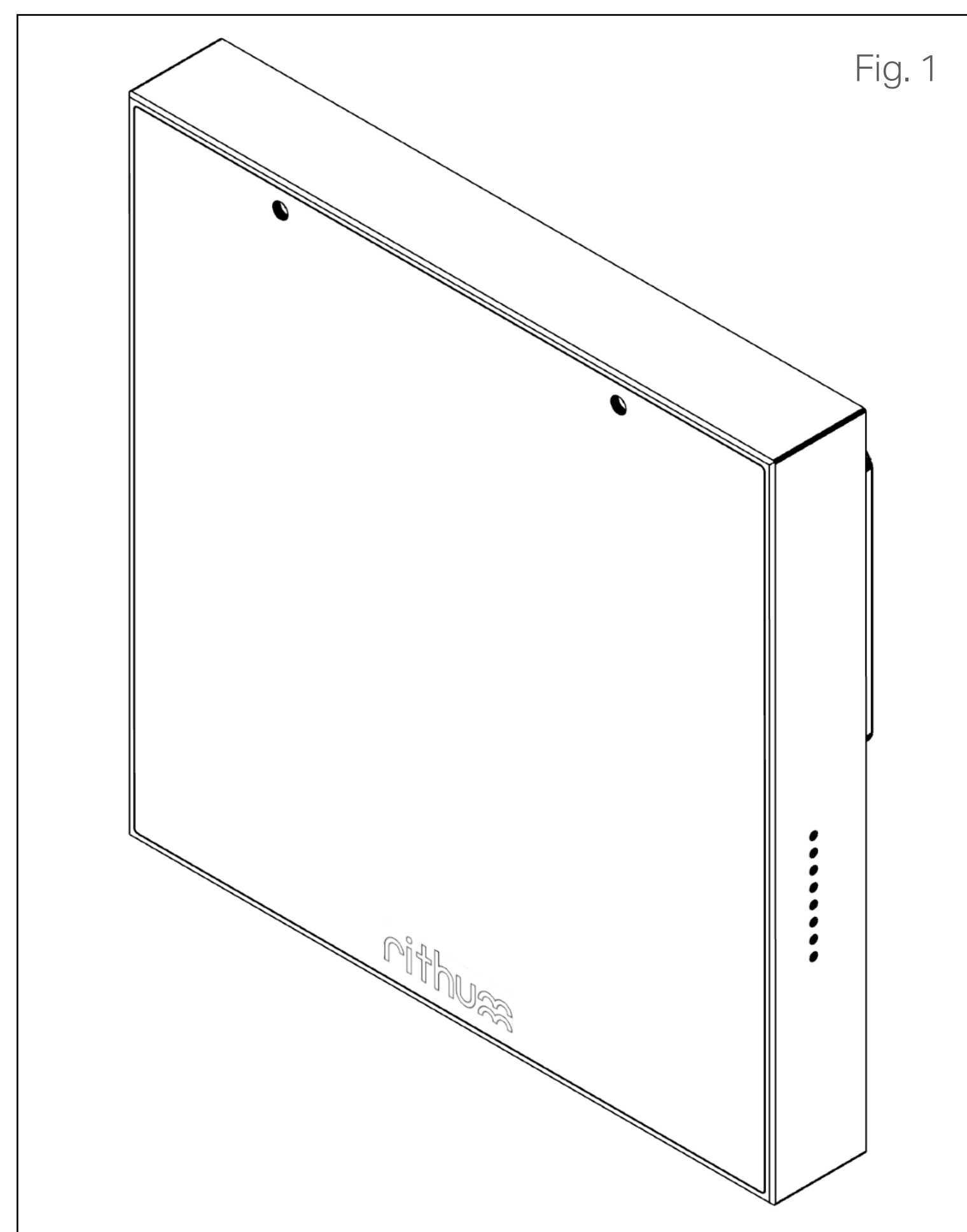
**Wi-Fi:** 2.4GHz 802.11bgn (Wi-Fi 4)

**Environment:** For indoor use only

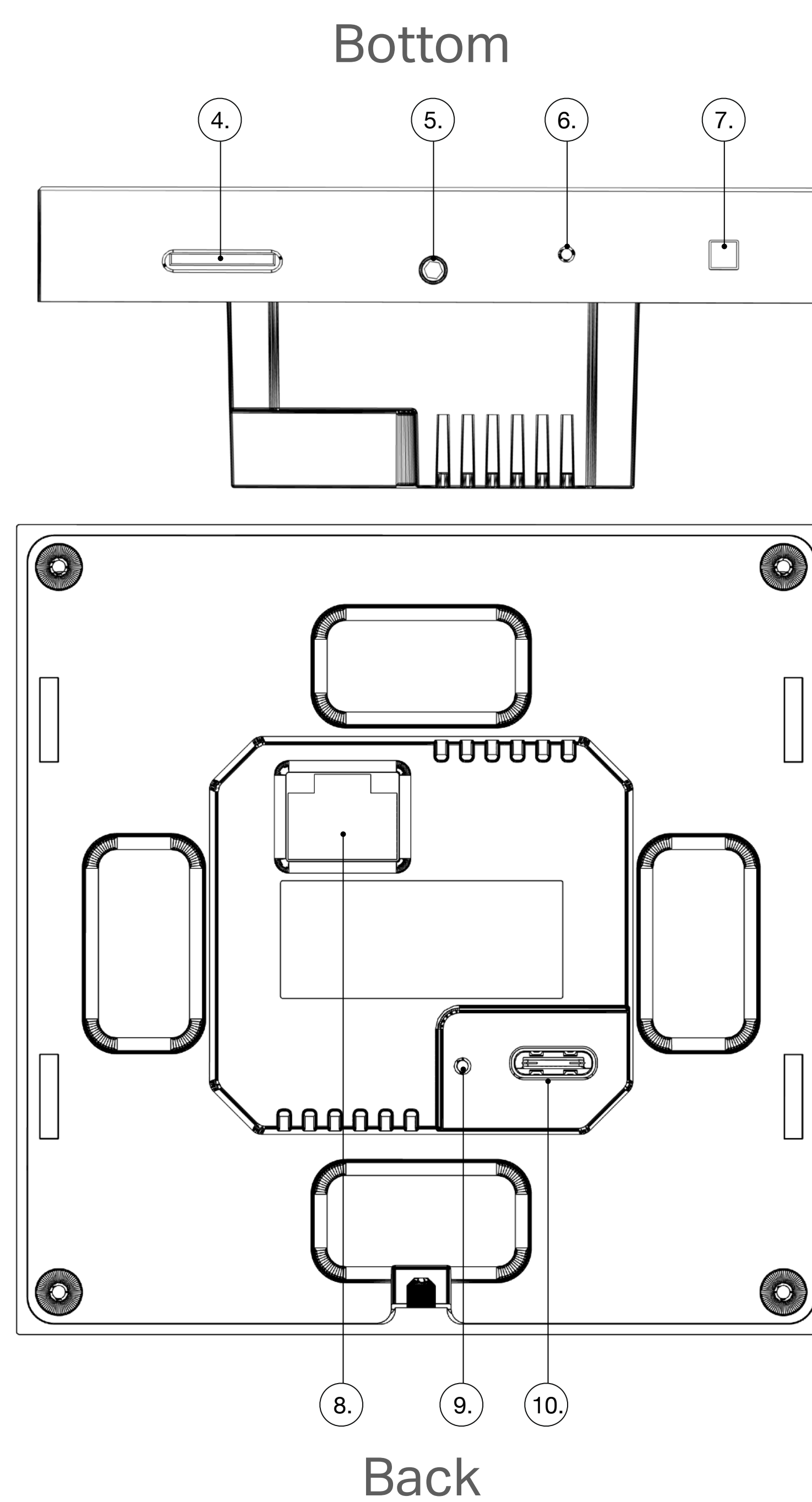
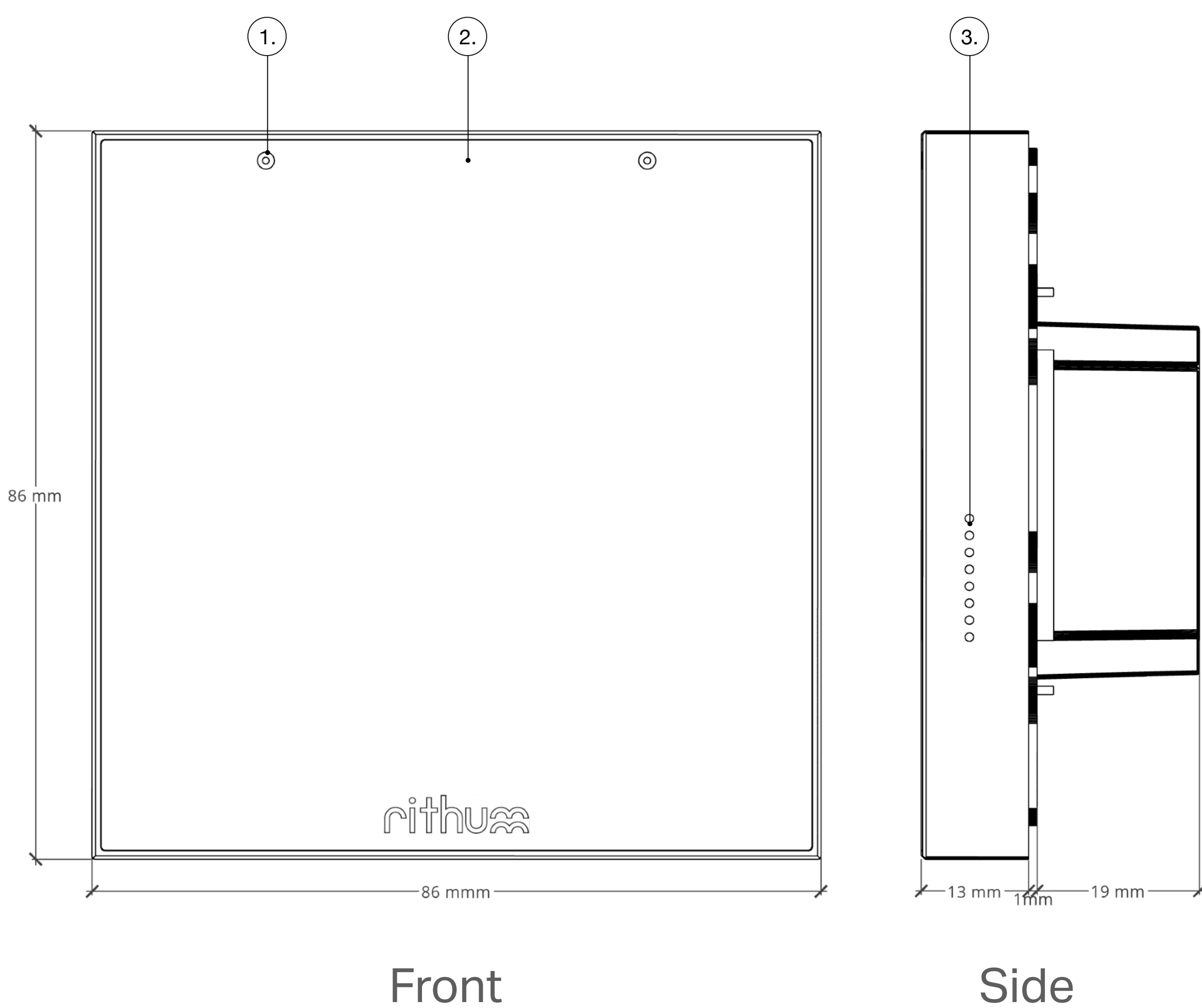
**Back box:** EU 71mm round or UK 71mm square

**Back box depth:** 35mm (25mm in some scenarios)

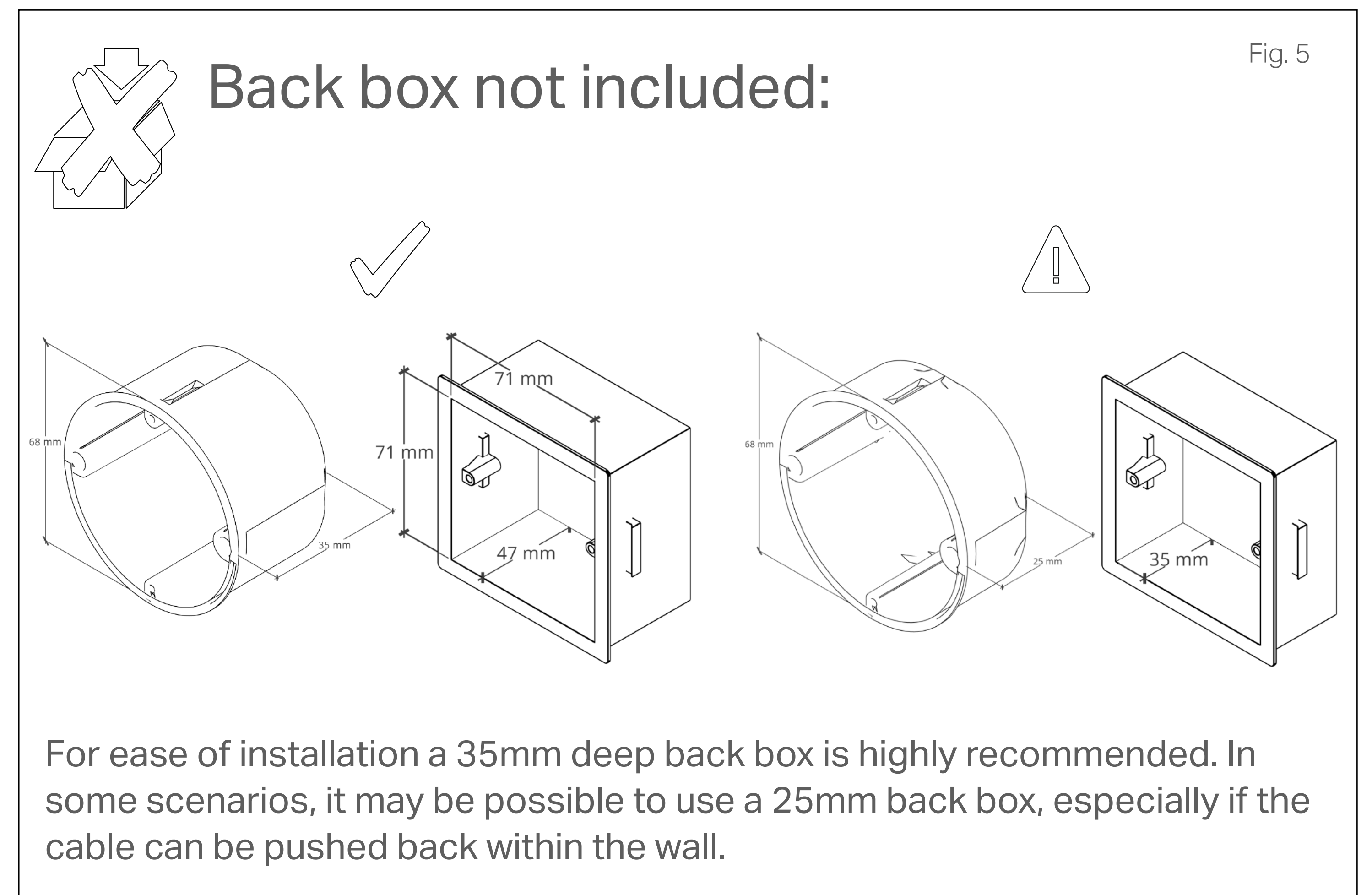
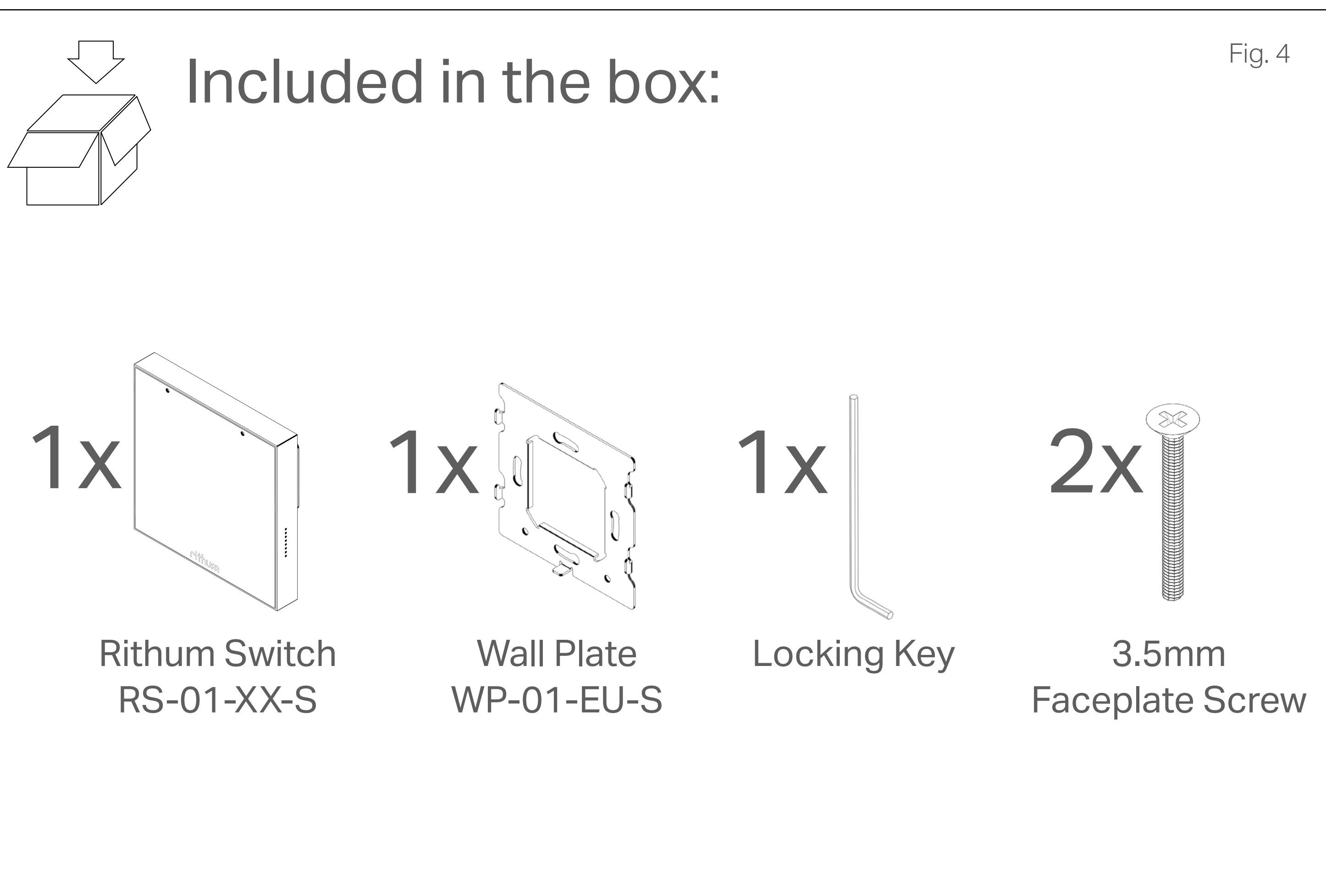
**Environment:** -15c to 45c



### Dimensions, Connections, & Sensors



1. Dual Microphone Array
2. Proximity & Lux Sensor
3. Mono Speaker - Left side only
4. Micro SD Card Port
5. Hex Locking Screw
6. Hardware Reboot
7. Temperature/Humidity Sensor
8. RJ45 PoE 802.3af
9. Service
10. USB C Power Input (10W)



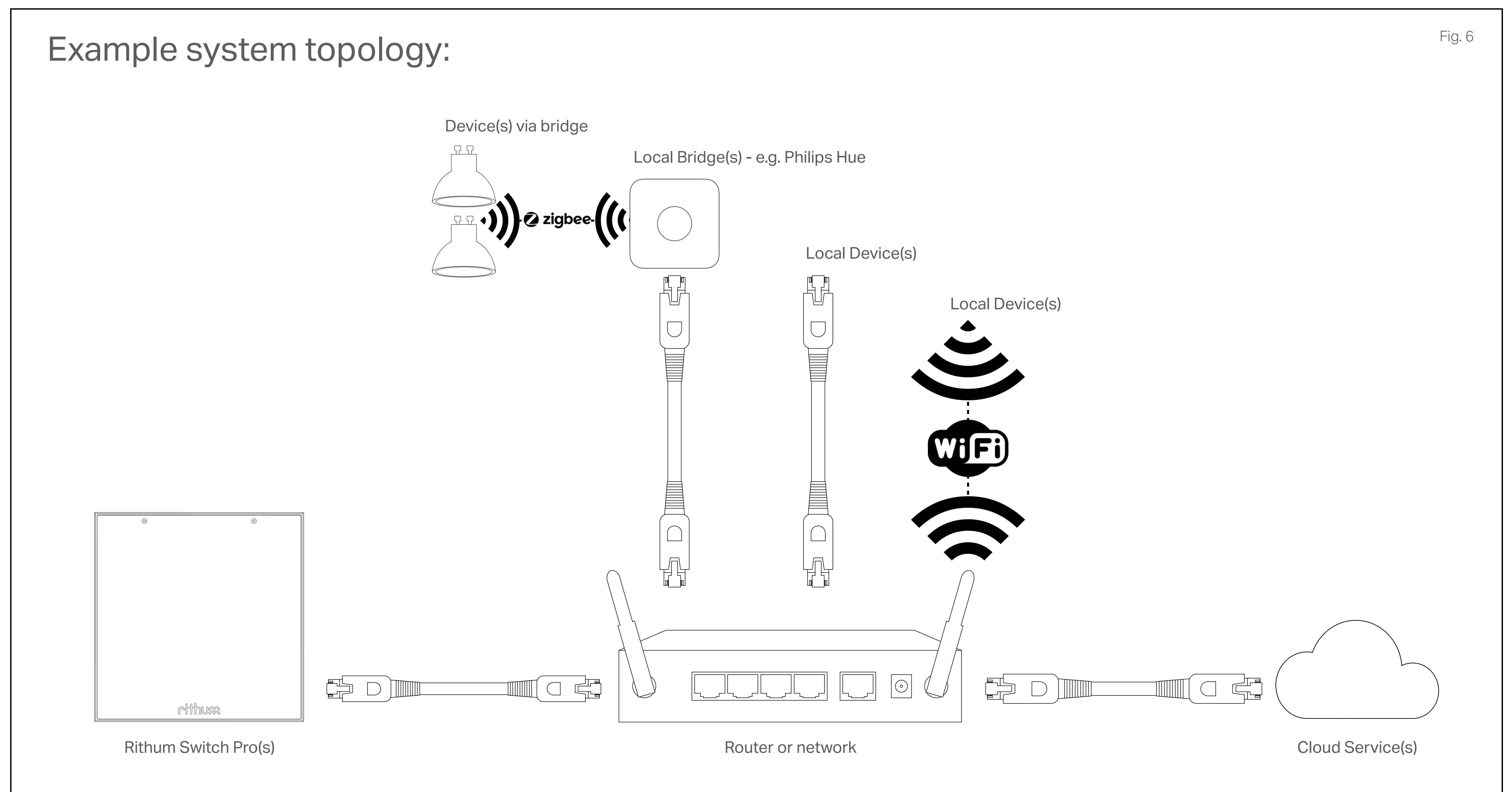
System topology:

Rithum Switch Pro integrates with third party systems over ethernet.

Rithum integrates with multiple lighting, audio, climate and other systems. For more about what Rithum works with, please see our website which also contains more system-specific topologies.

You may need one or more software plugins for Rithum to integrate with certain systems or provide certain features

Multiple Rithum Switches or Rithum Switch Pros can communicate with these systems over the same network (subject to network limitations).



Installation:

Fig. 12

